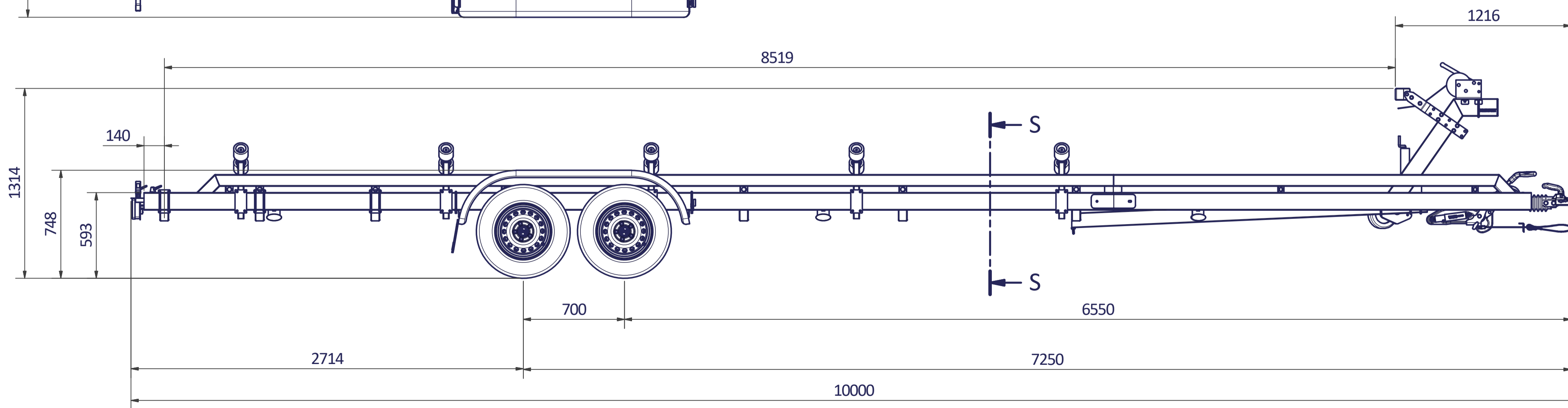


S-S



BOOTTRAILER 1000

2x AS 1800 kg

Surface treatment: ZINK PLATED	
QTY:	© VLEMMIX AANHANGWAGENS This drawing and its contents may not be made accessible and/or duplicated for others without permission. All rights reserved.
TOLERANCE:	UNIT: DRAWN BY: J.H.
ISO 2768-MK	DATE: 22-9-2021
HEDRA AANHANGWAGENS	
PROJECT/DRAWING NO.: BT10.0-061-00	
SCALE:	DESCRIPTION:
1 : 20	BOOTTRAILER 10 M
SHEET: 1	
SHEETS: 2	

A1